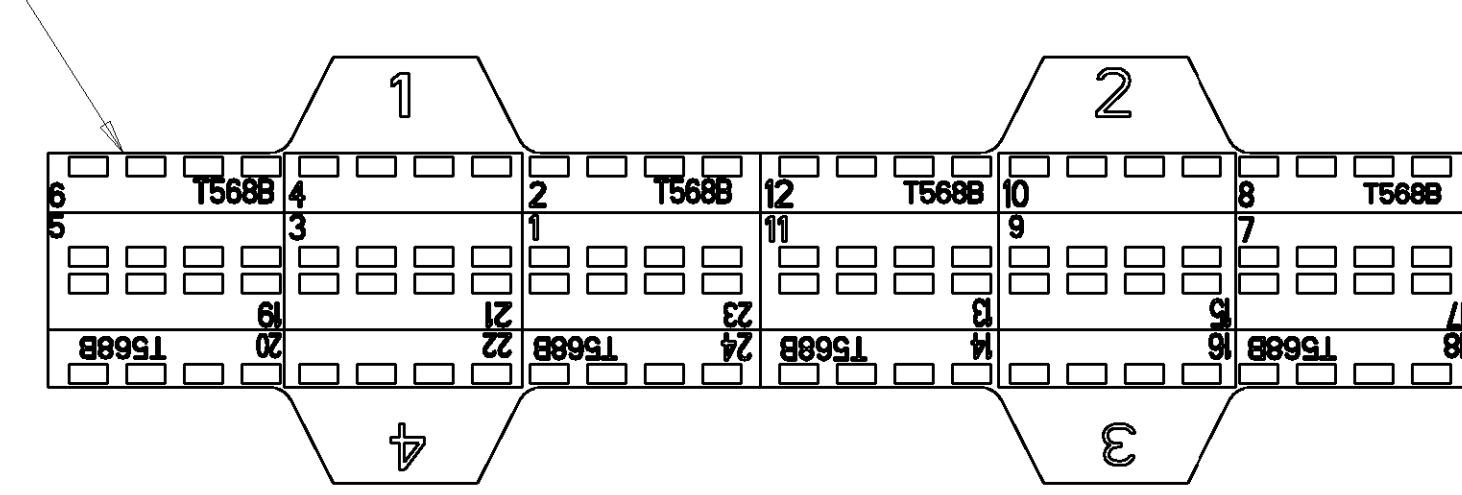
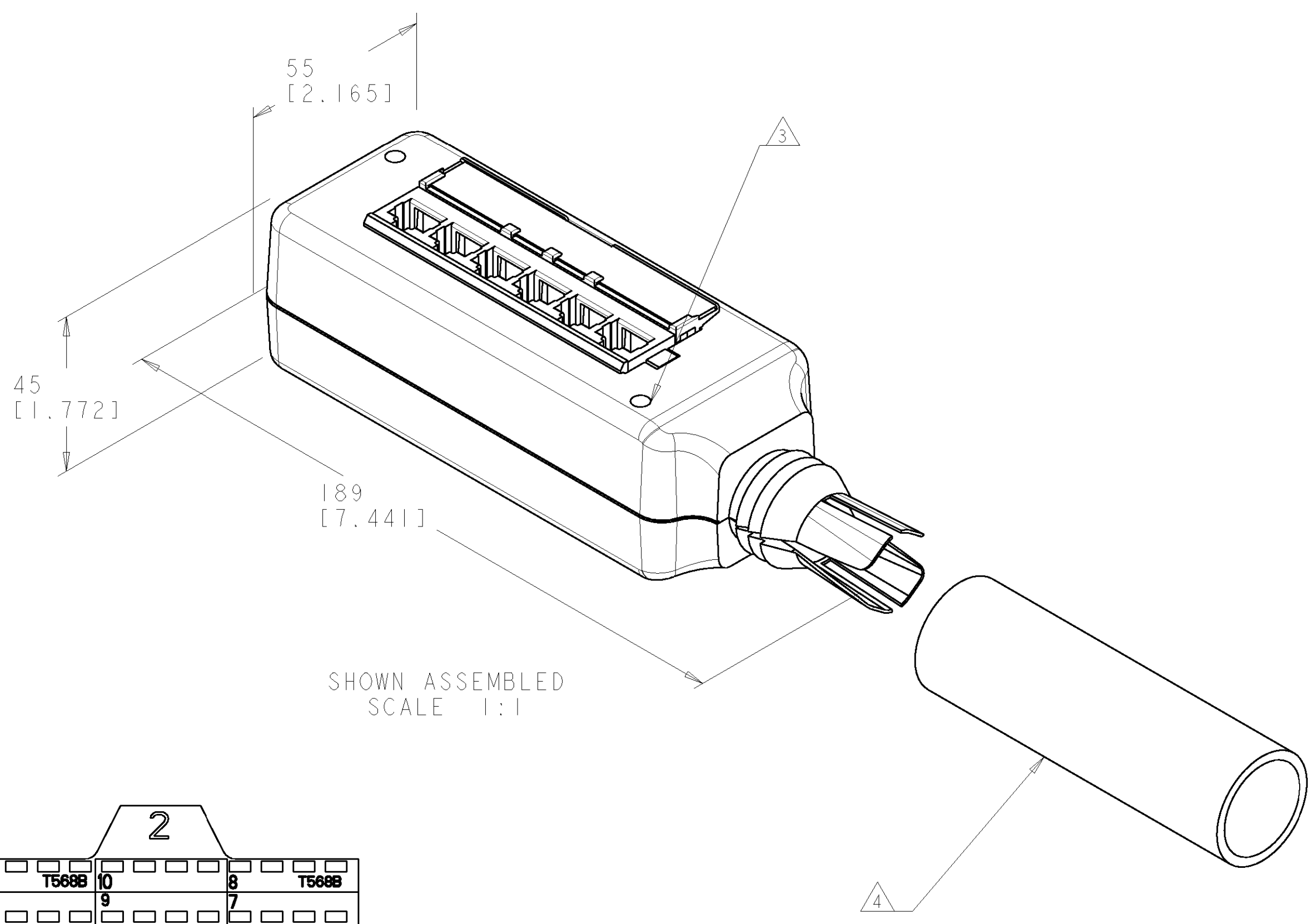
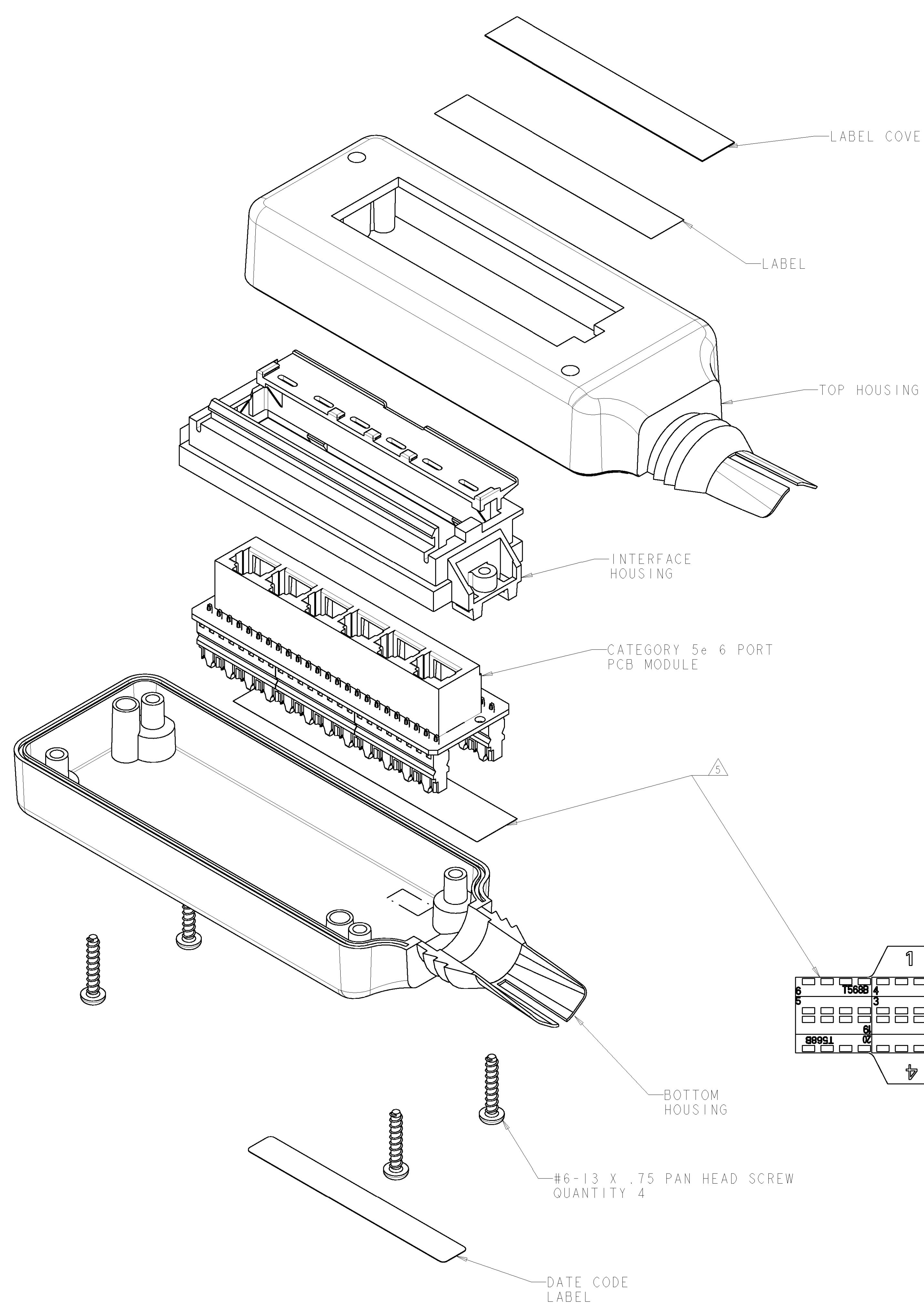


LOC		DIST		REVISIONS			
HM	00	P	LTR	DESCRIPTION	DATE	DWN	APPR
		O		RELEASED - NSD01-076	11DEC2001	LS	SH
		A		REV: EC 0B40-0345-01	18DEC02	GG	SH
		B		REV: EC 0B40-0160-02	21MAY02	GG	SH
		C		REV: EC 0B40-0265-03	13NOV03	GG	SH



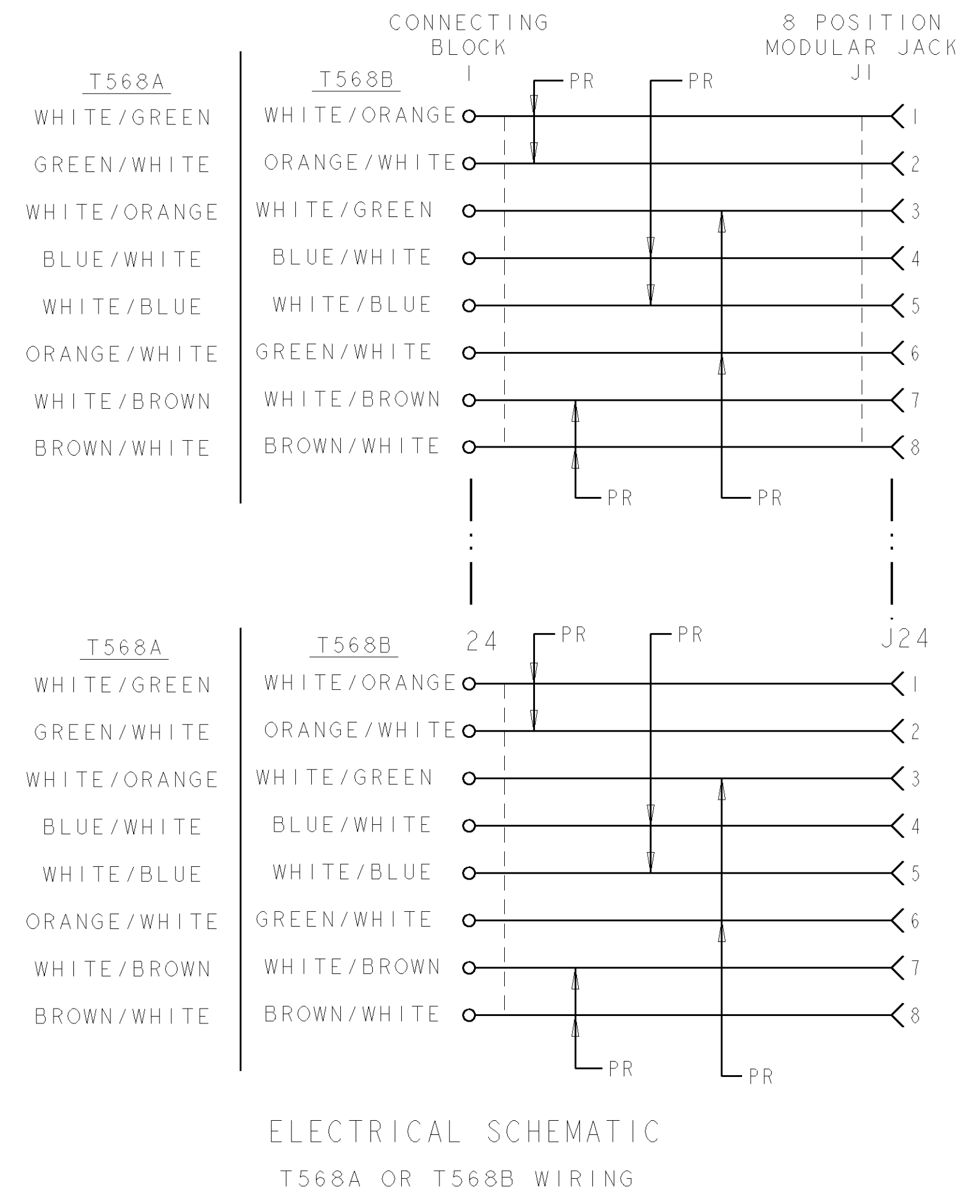
T568B SIDE
110 CONNECTOR UNIVERSAL
WIRING LABELS

1. KIT SHIPPED NOT ASSEMBLED. ONE WIRE TIE SHIPPED WITH KIT AND NOT SHOWN ON DRAWING.
- 2 MATERIAL - HOUSINGS, NYLON, BLACK. PCB MODULE - NYLON AND LAMINATED PRINTED CIRCUIT BOARD.
- 3 MOUNTING HOLES 2 PLACES.
- 4 SLIDE HEAT SHRINK TUBING OVER INCOMING CABLES PRIOR TO TERMINATION. AFTER TERMINATION IS COMPLETE SLIDE TUBING OVER FLEXIBLE BILL OF HOUSINGS AND HEAT SHRINK TO SEAL.
- 5 ONE SHEET OF FOUR 110 CONNECTOR UNIVERSAL WIRING LABELS ARE SHIPPED LOOSE. ONE SIDE IS FOR T568A WIRING AND THE OPPOSITE SIDE FOR T568B WIRING. ONE LABEL SHOWN INSTALLED AT LOCATION INDICATED.

1479144-1
PART NUMBER

DIMENSIONS: MM [INCHES]		TOLERANCES UNLESS OTHERWISE SPECIFIED: 0 PLC ±.5 [.020] 1 PLC ±.5 [.020] 2 PLC ±.5 [.020] 3 PLC ±.5 [.020] 4 PLC ±.5 [.020] ANGLES ±.5		DWN: L. SMITH 11DEC2001 CHK: S. HERNDON 11DEC2001 APPR: B. DAVIS 11DEC2001		tyco Tyco Electronics Harrisburg, PA 17105-3608	
MATERIAL: 2		FINISH:		NAME: KIT MINI MUO, 6 PORT, CAT5e		SIZE: CAGE CODE DRAWING NO. RESTRICTED TO:	
WEIGHT:		CUSTOMER DRAWING		SCALE: 3:2 SHEET 1 OF 2 REV C		DATE: 00779 C=1479144	

LOC	DIST	REVISIONS					
		P	LTR	DESCRIPTION	DATE	DWN	APVD
HM	00	-	-	SEE SHEET 1	-	-	-



<small>THE DIMENSIONS IN THIS DRAWING ARE UNLESS OTHERWISE SPECIFIED IN THE DIMENSIONAL CALLOUTS OR IN THE TOLERANCE SPECIFICATIONS. DIMENSIONS ARE TO BE TAKEN TO THE CENTER OF THE HOLE UNLESS OTHERWISE SPECIFIED.</small>		DWN L. SMITH 11DEC2001 ENR S. HERNDON 11DEC2001 APVD B. DAVIS 11DEC2001	tyco Tyco Electronics Electronics Harrisburg, PA 17105-3608
DIMENSIONS: MM [INCHES]	TOLERANCES UNLESS OTHERWISE SPECIFIED: 0 PLC ±.5 (.020) 1 PLC ±.5 (.020) 2 PLC ±. 3 PLC ±. 4 PLC ±. ANGLES ±. FINISH -	NAME KIT MINI MUO, 6 PORT, CAT5e	PRODUCT SPEC - APPLICATION SPEC -
MATERIAL -	WEIGHT -	SIZE CAGE CODE DRAWING NO A 00779 C-1479144	RESTRICTED TO -
CUSTOMER DRAWING		SCALE 3:2	SHEET 2 OF 2 REV C